

# ELEKTROMAGNET DORCAS M33, 300 KG

## PRODUCT PRESENTATION

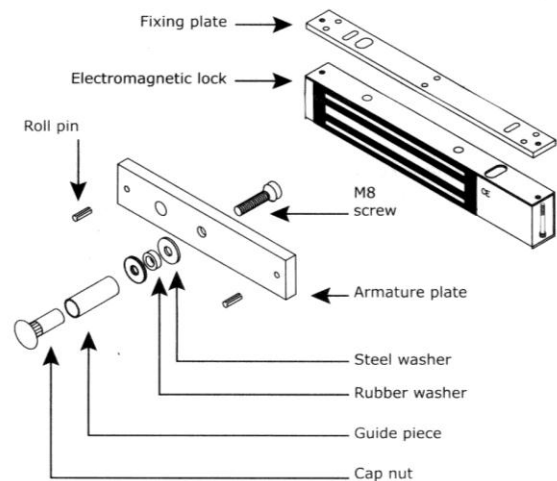
- **NFS 61-937.**
  - **Monitored.**
  - **Surface mount.**
  - **Delivered with armature plate.**
  - **Corrosion resistance.**
  - **No mechanical wear.**
  - **Ease of installation.**
  - **Recommended for interior use.**
  - **Fail safe (Door unlocked when power off).**
  - **Holding force: 300kg.**
  - **No residual magnetism.**
  - **Built-in varistor: Built-in electronic protection to eliminate back EMF.**
- Dimensions (L x W x D): 248 x 45 x 26mm.
  - Armature dimensions (L x W x D): 185 x 38 x 11mm.
  - Power supply: 12/24V dc.
  - Power absorption:
    - 12 V DC = 550mA,
    - 24 V DC = 275mA.

WEEE & RoHS

CE EC certification

IP42

## INSTALLATION



## PACKAGE CONTENTS

Surface mount magnet	Armature plate	Mounting plate	Roll pin 5x16	Steel washer	Rubber washer	M8x35 screw	Cap nut	Guide piece	Installation Manual
1	1	1	2	2	2	1	1	1	1

## ELECTRICAL CONNECTIONS



### 12V dc Default setup

Terminal block	Correspondence
+	12 or 24V dc
-	- 0 V
N.C	NC (Normally closed)
COM	COM
N.O	NO (Normally open)

The NO/NC signal only switches when the door is closed with the power to it on.

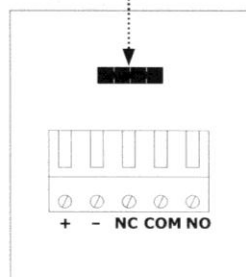
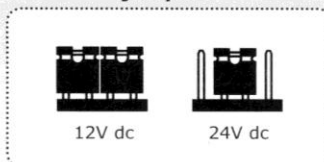
#### IMPORTANT NOTE

- Check the jumper position before connecting the lock to the input current. A wrong position could damage the lock. This type of damage is not covered by the warranty.
- Make sure that the magnet and the armature meet evenly over their entire mating surfaces.

**The Armature plate must be able to pivot slightly about its center mounting screw to compensate for any door misalignment.**

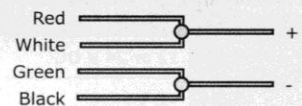
### WITH BUILT-IN PCB BOARD

#### Voltage selection jumpers

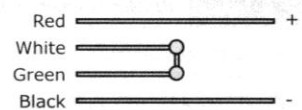


### DIRECT CONNECTION

#### 12V DC



#### 24V DC



#### CONTACT



All the information contained within this document (photos, drawing, features, specifications and dimensions) could be perceptibly different and can be changed without prior notice.

**DORCAS**